

Buckeye ShapeForm

proudly presents two distinctive designs of quality instrument knobs: Standard and Imperial.
Six basic knob diameters are available with attractive variations in styles achieved by epoxy coated caps, insets, pebble finish tops, aluminum inset rings and color contrasting ring insets.

MATERIAL: All Buckeye ShapeForm knobs are precision-molded of ABS plastic and are noted for their toughness, rigidity, dimensional stability, glossy finish and resistance to stain, corrosion and variance of temperature.

INSERTS: All Buckeye ShapeForm knobs are manufactured with a serrated aluminum bushing precisely set to assure concentricity. Bushings are available for the following shaft sizes:

BUSHING NUMBER	BUSHING SIZE
1.....	1/8" dia. (.127") shaft
2.....	1/4" dia. (.252") shaft*
3.....	3/16" dia. (.190") shaft
4.....	3/8" dia. (.377") shaft**
5.....	17/64" dia. (.267") shaft*

* Not available in Imperial Knob 500 series.

** Not available in Imperial Knob series or Standard Knob #50 and #70 sizes.

COLORS: Black is the standard color. Red, white, dark grey, light grey and blue are available at additional cost. Custom colors are available.

SET SCREWS: Either 6-32 or 8-32 stainless steel allen head screws are used depending on the knob size. Two are supplied in each knob except the Standard #50 and Imperial #500 series. One set screw knobs are available on special order.

ALUMINUM EMBELLISHMENTS: Spun epoxy coated aluminum caps and disk insets are used on all Standard Knobs. Optional aluminum rings are available in the Imperial line, inset in the same manner as standard plastic rings.

CUSTOMIZATION: Accessories, custom screen printing and custom colors are available. Buckeye ShapeForm will work to create the perfect knob for you.

Specify by Model Number When Ordering Buckeye ShapeForm Knobs.

All information to order standard knobs is keyed to individual model numbers. You must include all bushing, indicator and color information and specify when short series or optional skirts are required. Individual ordering charts are provided with each product category to facilitate the proper selection of your knob of choice.

Example: To order a black Regular Disk Knob with an Indicator (0.719" diameter, line indicator, 0.188" bushing,) you would review the product category chart below and follow each step to determine the exact order information from the *shaded* data.



The correct designation would be:
DSN 70 L 3 Regular Black.

Steps									
1		2		3		4		5	6
Model		Diameter		Indicator		Bushing		Height	Knob Color
SSN	Plain	50	0.500"	L	Line	1	0.125"	Short	Black
PS	Cap	70	0.719"	D	Dot	2	0.250"	Regular	White
DSN	Disk	95	0.969"			3	0.188"		Red
SS	Molded Indicator	125	1.250"			4	0.375"		Grey
		175	1.750"			5	0.266"		Light Grey
		210	2.109"			Push On			Blue

TABLE OF CONTENTS

STANDARD KNOBS

Knobs w/wo Indicator.....	page 3
Knobs w/Molded Indicator.....	page 4
Knobs w/Pointer.....	page 4
Skirted Knobs.....	page 5
Half-Bar Knobs.....	page 5
Full Bar Knobs.....	page 6
Knobs w/Spinners.....	pages 6 & 7
Concentric Knobs.....	page 7
Concentric Knobs w/Indicator.....	page 8
Concentric Knobs w/Pointer.....	page 8
Skirted Concentric Knobs.....	page 9
Concentric Bar Knobs.....	page 9
Dimensional Data.....	page 10

IMPERIAL KNOBS

Round Knobs.....	page 11
Skirted Knobs.....	page 11
Bar Knobs.....	page 12
Skirted Bar Knobs.....	page 12
Concentric Knobs.....	page 13
Skirted Concentric Knobs.....	page 13
Concentric Bar Knobs.....	page 14
Concentric Bar Skirted Knobs.....	page 14
Dimensional Data.....	page 15
Options.....	page 16



Standard Knobs

Knobs with no Indicator

- 6 standard diameters
- Standard colors - black, white, red, grey, light grey, blue
- Short heights available



Short Plain Knob



Cap Knob



Disk Knob



Molded Indicator Knob

		Steps									
		1		2		3		4		5	
Model		Diameter		Bushing		Height		Knob Color			
SSN	Plain	50	0.500"	1	0.125"	Short**		Black			
PS	Cap	70	0.719"	2	0.250"	Regular		White			
DSN	Disk	95	0.969"	3	0.188"			Red			
SS	Molded Indicator	125	1.250"	4	0.375"			Grey			
		175	1.750"	5	0.266"			Light Grey			
		210	2.109"	Push On	*			Blue			

*Specify clip size for Push On bushing .190" or .220".
 **Short available only in 0.500" and 0.719" diameters.

Knobs with Indicator

- 6 standard diameters
- Standard colors - black, white, red, grey, light grey, blue
- Line or dot indicators offered
- Short heights available



Short Plain Knob
w/Line



Cap Knob
w/Dot Indicator



Disk Knob
w/Line Indicator



Molded Indicator
Knob w/Line

		Steps											
		1		2		3		4		5		6	
Model		Diameter		Indicator		Bushing		Height		Knob Color			
SSN	Plain	50	0.500"	L	Line	1	0.125"	Short**		Black			
PS	Cap	70	0.719"	D	Dot	2	0.250"	Regular		White			
DSN	Disk	95	0.969"			3	0.188"			Red			
SS	Molded Indicator	125	1.250"			4	0.375"			Grey			
		175	1.750"			5	0.266"			Light Grey			
		210	2.109"			Push On	*			Blue			

*Specify clip size for Push On bushing .190" or .220".
 **Short available only in 0.500" and 0.719" diameters.

Knobs with Molded Indicator

- 2 standard diameters
- Standard colors - black, white, red, grey, light grey, blue
- Indicator size - 0.125"



Plain Knob
w/Molded Indicator



Cap Knob
w/Molded Indicator



Disk Knob
w/Molded Indicator

Steps						
1		2		3		4
Model		Diameter		Bushing		Knob Color
SSN	Plain	77	0.719" with Indicator	1	0.125"	Black
PS	Cap	97	0.969" with Indicator	2	0.250"	White
DSN	Disk			3	0.188"	Red
				4	0.375"	Grey
				5	0.266"	Light Grey
				Push On	*	Blue

*Specify clip size for Push On bushing .190" or .220".

Knobs with Pointer

- 6 standard diameters
- Standard colors - black, white, red, grey, light grey, blue
- Single or double pointer available



Plain Knob
w/Pointer



Cap Knob
w/Pointer



Disk Knob
w/Double Pointer



Molded Indicator
Knob w/Pointer

Steps									
1		2		3		4		5	
Model		Diameter		Indicator		Bushing		Knob Color	
SSN	Plain	50	0.500"	P	Pointer	1	0.125"	Black	
PS	Cap	70	0.719"	KP	Double Pointer	2	0.250"	White	
DSN	Disk	95	0.969"			3	0.188"	Red	
SS	Molded Indicator	125	1.250"			4	0.375"	Grey	
		175	1.750"			5	0.266"	Light Grey	
		210	2.109"			Push On	*	Blue	

*Specify clip size for Push On bushing .190" or .220".

Skirted Knobs

- 6 standard diameters
- Standard knob colors - black, white, red, grey, light grey, blue
- 7 standard skirt colors - black, white, red, grey, light grey, blue, clear
- Black, white and red are standard ink colors on skirt - others available



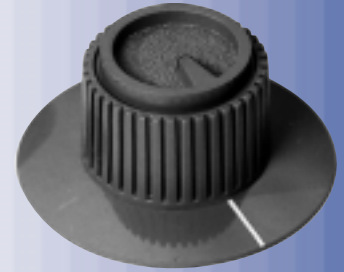
Plain Knob
w/Tapered Skirt



Cap Knob
w/Tapered Skirt



Disk Knob
w/Tapered Skirt



Molded Indicator
Knob w/Flat Skirt

		Steps												
		1		2		3		4		5		6	7	8
Model		Diameter		Skirt		Indicator		Bushing		Knob Color	Skirt Color	Ink Color on Skirt		
SSN	Plain	50	0.500"	S	Flat Skirt	L	Line	1	0.125"	Black	Black	Black		
PS	Cap	70	0.719"	TS	Tapered Skirt			2	0.250"	White	White	White		
DSN	Disk	95	0.969"					3	0.188"	Red	Red	Red		
SS	Molded Indicator	125	1.250"					4	0.375"	Grey	Grey	Other		
		175	1.750"					5	0.266"	Light Grey	Light Grey			
		210	2.109"					Push On	*	Blue	Blue			
											Clear			

*Specify clip size for Push On bushing .190" or .220".

Half Bar Knobs

- 2 standard diameters
- Standard colors - black, white, red, grey, light grey, blue
- Optional skirts available



Plain Half Bar
Knob w/Tapered
Skirt and Line



Cap Half Bar
Knob w/Dot



Disk Half Bar
Knob w/Line

		Steps													
		1		2		3		4***		5	6		7	8***	9***
Model		Diameter		Bar		Skirt		Indicator		Bushing		Knob Color	Skirt Color	Ink Color on Skirt	
SSN	Plain**	70	0.719"	HB	Half Bar		None		None	1	0.125"	Black	Black	Black	
PS	Cap	95	0.969"			S	Flat Skirt	L	Line	2	0.250"	White	White	White	
DSN	Disk					TS	Tapered Skirt	D	Dot	3	0.188"	Red	Red	Red	
										4	0.375"	Grey	Grey	Other	
										5	0.266"	Light Grey	Light Grey		
										Push On	*	Blue	Blue		
													Clear		

*Specify clip size for Push On bushing .190" or .220". **Plain knob model available only in 0.719" diameter. ***Optional

Full Bar Knobs

- 2 standard diameters
- Standard colors - black, white, red, grey, light grey, blue
- Optional skirts available



Cap Bar Knob w/Line



Disk Bar Knob w/Line



Molded Indicator Knob w/Line

		Steps												
1		2		3		4**		5		6		7	8**	9**
Model		Diameter		Bar		Skirt		Indicator		Bushing		Knob Color	Skirt Color	Ink Color on Skirt
PS	Cap	50	0.500"	B	Full Bar		None	L	Line	1	0.125"	Black	Black	Black
DSN	Disk	70	0.719"			S	Flat Skirt			2	0.250"	White	White	White
SS	Molded Indicator	95	0.969"			TS	Tapered Skirt			3	0.188"	Red	Red	Red
										4	0.375"	Grey	Grey	Other
										5	0.266"	Light Grey	Light Grey	
										Push On	*	Blue	Blue	
													Clear	

*Specify clip size for Push On bushing .190" or .220" **Optional

Knobs with Spinners

- 3 standard Raised Spinner diameters
- 2 standard Finger Spinner diameters
- Standard colors - black, white, red, grey, light grey, blue



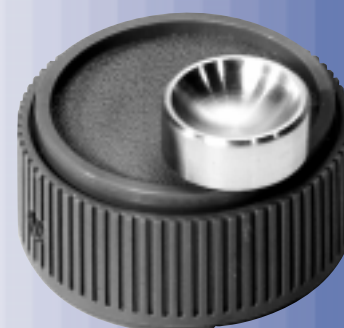
Cap Knob w/Raised Spinner



Molded Indicator Knob w/Raised Spinner



Cap Knob w/Finger Spinner



Molded Indicator Knob w/Finger Spinner

		Steps									
1		2		3		4		5			
Model		Diameter		Spinner		Bushing		Knob Color			
PS	Cap	125	1.250"	SP	Raised Spinner	1	0.125"	Black			
SS	Molded Indicator	175	1.750"	FSP	Finger Spinner**	2	0.250"	White			
		210	2.109"			3	0.188"	Red			
						4	0.375"	Grey			
						5	0.266"	Light Grey			
						Push On	*	Blue			

*Specify clip size for Push On bushing .190" or .220".

**Available only in 1.750" and 2.109" diameters.

Indented Finger Spinner Knobs

- 2 standard diameters
- Standard colors - black, white, red, grey, light grey, blue
- Spun aluminum inset disk available

		Steps						
1		2		3		4		5
Model		Diameter		Spinner		Bushing		Knob Color
PS	Inset Disk	175	1.750"	IFSP	Indented	1	0.125"	Black
SS	Molded Indicator	210	2.109"		Finger Spinner	2	0.250"	White
						3	0.188"	Red
						4	0.375"	Grey
								Light Grey
								Blue



Indented Finger Spinner Knob w/Inset Disk



Indented Finger Spinner Knob w/Molded Indicator

Standard Concentric Knobs

Concentric Knobs

- 5 standard diameters
- Standard colors - black, white, red, grey, light grey, blue
- Short top knob heights available

		Steps						
1		2		3		4		5
Top Knob Model		Top Knob Diameter		Top Knob Indicator		Top Knob Bushing		Top Knob Height
SSN	Plain	50	0.500**		None	1	0.125"	Short
PS	Cap	70	0.719**	L	Line	2	0.250"	Regular
DSN	Disk	95	0.969"	D	Dot	3	0.188"	
SS	Molded Indicator	125	1.250"	LL	Top and	4	0.375"	
		175	1.750"		Side Line	5	0.266"	

*0.500" and 0.719" top knobs cannot use .375" or .266" Bushing.



Plain Knob w/Line



Short Cap Knob w/Dot

6		7		8		9
Bottom Knob Diameter		Concentric		Bottom Knob Bushing		Knob Color
70	0.719"	C	Concentric	1	0.125"	Black
95	0.969"			2	0.250"	White
125	1.250"			3	0.188"	Red
175	1.750"			4	0.375"	Grey
210	2.109"			5	0.266"	Light Grey
						Blue



Disk Knob w/Line



Molded Indicator Knob w/Line

Concentric Knobs with Indicator

- 2 standard diameters
- Standard colors - black, white, red, grey, light grey, blue
- Indicator size - 0.125"

Steps							
1		2		3		4	
Top Knob Model		Top Knob Diameter		Top Knob Indicator		Top Knob Bushing	
SSN	Plain	50	0.500"		None	1	0.125"
PS	Cap	70	0.719"	L	Line	2	0.250"
DSN	Disk			D	Dot	3	0.188"
SS	Molded Indicator			LL	Top and Side Line		

5		6		7		8	
Bottom Knob Diameter		Style		Bottom Knob Bushing		Knob Color	
77	0.719"with Indicator	C	Concentric	1	0.125"	Black	
97	0.969"with Indicator			2	0.250"	White	
				3	0.188"	Red	
				4	0.375"	Grey	
				5	0.266"	Light Grey	
						Blue	



Plain Knob,
Bottom Knob
w/Indicator



Cap Knob w/Dot,
Bottom Knob
w/Indicator



Disk Knob w/Line,
Bottom Knob
w/Indicator



Molded Indicator Knob
w/Line, Bottom Knob
w/Indicator

Concentric Knobs with Pointer

- 5 standard diameters
- Standard colors - black, white, red, grey, light grey, blue
- Short top knob heights available

Steps								
1		2		3		4		5
Top Knob Model		Top Knob Diameter		Top Knob Indicator		Top Knob Bushing		Top Knob Height
SSN	Plain	50	0.500**		None	1	0.125"	Short
PS	Cap	70	0.719**	L	Line	2	0.250"	Regular
DSN	Disk	95	0.969"	D	Dot	3	0.188"	
SS	Molded Indicator	125	1.250"	LL Top and Side Line		4	0.375"	
		175	1.750"			5	0.266"	

*0.500" and 0.719" top knobs cannot use .375" and .266" Bushing.

6		7		8		9		10
Bottom Knob Diameter		Style		Indicator		Bottom Knob Bushing		Knob Color
70	0.719"	C	Concentric	P	Pointer	1	0.125"	Black
95	0.969"			KP	Double	2	0.250"	White
125	1.250"				Pointer	3	0.188"	Red
175	1.750"					4	0.375"	Grey
210	2.109"					5	0.266"	Light Grey
								Blue



Short Cap Knob
w/Dot, Bottom
Knob w/Pointer



Disk Knob w/Line,
Bottom Knob
w/ Pointer



Molded Indicator Knob w/Line,
Bottom Knob w/Double Pointer

Skirted Concentric Knobs

- 5 standard diameters
- Standard colors - black, white, red, grey, light grey, blue
- Short top knob heights available

		Steps									
		1		2		3		4		5	
		Top Knob		Top Knob		Top Knob		Top Knob		Top Knob	
		Model		Diameter		Indicator		Bushing		Height	
SSN	Plain	50	0.500**			None	1	0.125"	Short		
PS	Cap	70	0.719**	L	Line		2	0.250"	Regular		
DSN	Disk	95	0.969"	D	Dot		3	0.188"			
SS	Molded Indicator	125	1.250"	LL	Top and Side Line		4	0.375"			
		175	1.750"				5	0.266"			



Plain Knob
w/Line,
Bottom Knob
w/Tapered Skirt
and Line



Cap Knob
w/Dot,
Bottom Knob
w/Tapered Skirt
and Line

*0.500" and 0.719" top knobs cannot use 0.375" and 0.266" Bushing.

6		7		8		9		10		11		12		13	
Bottom Knob				Bottom Knob				Bottom Knob						Ink Color	
Diameter		Style		Skirt		Indicator		Bushing		Knob Color		Skirt Color		On Skirt	
70	0.719"	C	Concentric	S	Flat Skirt		None	1	0.125"	Black	Black	Black	Black	Black	Black
95	0.969"			TS	Tapered Skirt	L	Line	2	0.250"	White	White	White	White	White	White
125	1.250"							3	0.188"	Red	Red	Red	Red	Red	Red
175	1.750"							4	0.375"	Grey	Grey	Grey	Grey	Other	Other
210	2.109"							5	0.266"	Light Grey	Light Grey	Light Grey	Light Grey		
										Blue	Blue	Blue	Blue		
											Clear	Clear	Clear		

Concentric Bar Knobs

- 2 standard diameters
- Standard colors - black, white, red, grey, light grey, blue
- Short top knob heights available
- Optional skirts offered

		Steps									
		1		2		3		4		5	
		Top Knob		Top Knob		Top Knob		Top Knob		Top Knob	
		Model		Diameter		Indicator		Bushing		Height	
PS	Cap	50	0.500"			None	1	0.125"	Short		
DSN	Disk	70	0.719"	L	Line		2	0.250"	Regular		
SS	Molded Indicator			LL	Top and Side Line		3	0.188"			



Cap Knob
w/Dot,
Bottom Bar
Knob w/Line

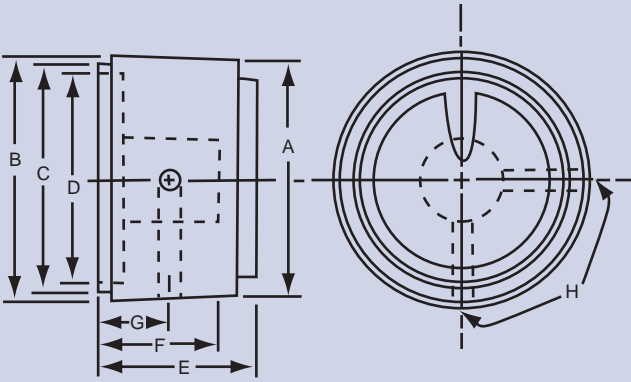


Disk Knob
w/Line,
Bottom Bar Knob
w/Optional Skirt

6		7		8		9		10		11		12		13	
Bottom Knob						Bottom Knob		Bottom Knob						Ink Color	
Diameter		Style		Indicator		Skirt*		Bushing		Knob Color		Skirt Color*		On Skirt*	
70	0.719"	CB	Concentric Bar		None	S	Flat Skirt	1	0.125"	Black	Black	Black	Black	Black	Black
95	0.969"			L	Line	TS	Tapered Skirt	2	0.250"	White	White	White	White	White	White
								3	0.188"	Red	Red	Red	Red	Red	Red
								4	0.375"	Grey	Grey	Grey	Grey	Other	Other
								5	0.266"	Light Grey	Light Grey	Light Grey	Light Grey		
										Blue	Blue	Blue	Blue		
											Clear	Clear	Clear		

* Optional

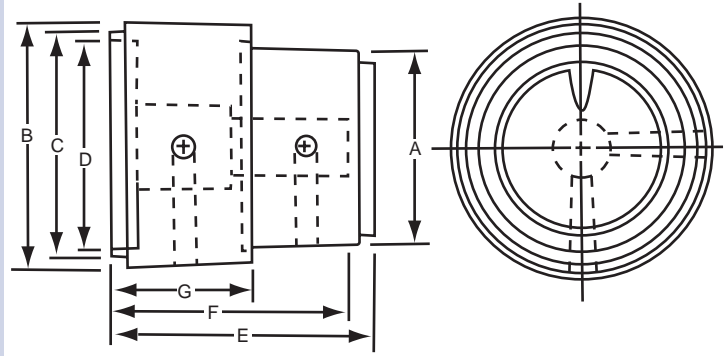
Standard Knobs Dimensional Data (in inches)



SINGLE KNOBS

Dim.	50	70	95	125	175	210
A	.470	.685	.940	1.214	1.718	2.095
B	.500	.718	.968	1.250	1.750	2.125
C	.453	.662	.886	1.187	1.689	2.062
D	.375	.593	.815	1.100	1.625	1.930
E ¹	.687	.718	.718	.812	.812	.812
F	.527	.555	.546	.625	.625	.625
G	.315	.345	.325	.375	.375	.375
H	1-6-32 UNC	2-6-32 UNC	2-8-32 UNC	2-8-32 UNC	2-8-32 UNC	2-8-32 UNC

¹Add .031 to Dim. "E" for Cap (PS) Models.



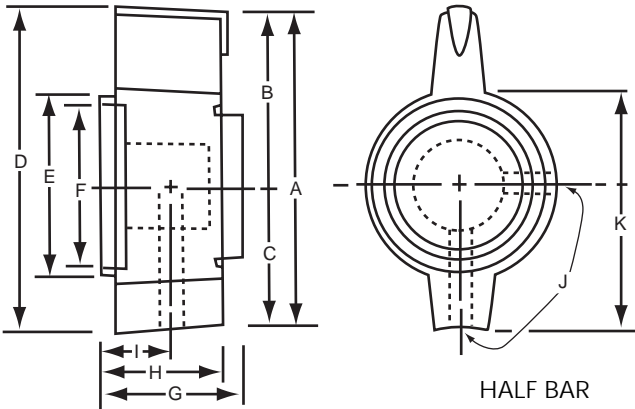
CONCENTRIC KNOBS

Dim.	50/70	70/95	95/125	125/175	175/210
A	.470	.685	.940	1.214	1.718
B	.718	.968	1.250	1.750	2.125
C	.665	.886	1.190	1.687	2.062
D	.593	.815	1.100	1.625	1.930
E ¹	1.277 ²	1.308 ³	1.403	1.500	1.500
F	1.118	1.147	1.234	1.303	1.303
G	.625	.625	.718	.718	.718

¹Add .031 to Dim. "E" for Cap (PS) Models.

²#50 in .540 height is available for use with #70 concentric bottom — overall height 1.130. Specify when ordering.

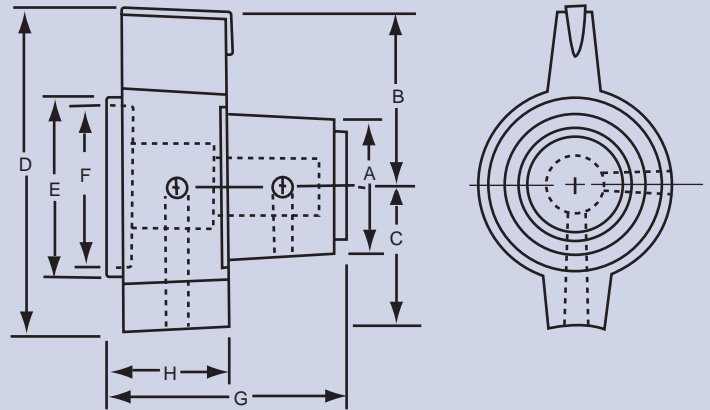
³#70 in .540 height is available for use with #95 concentric bottom — overall height 1.168. Specify when ordering.



HALF BAR
70 K Dim. .968
95 K Dim. 1.265

BAR KNOBS

Dim.	50	70	95
A	.894	1.170	1.532
B	.477	.585	.782
C	.477	.585	.750
D	.926	1.232	1.593
E	.453	.660	.886
F	.375	.590	.815
G	.687	.718	.728
H	.625	.617	.627
I	.315	.345	.325
J	2-6-32 UNC	2-6-32 UNC	2-8-32 UNC



BAR CONCENTRICS

Dim.	50/70	70/95
A	.470	.685
B	.580	.785
C	.590	.755
D	1.224	1.585
E	.660	.886
F	.590	.815
G	1.277 ¹	1.308 ²
H	.630	.630

¹#50 in .540 height is available for use with #70 concentric bottom — overall height 1.130. Specify when ordering.

²#70 in .540 height is available for use with #95 concentric bottom — overall height 1.168. Specify when ordering.

Imperial Knobs

Round Knobs

- 3 standard models
- 5 standard diameters



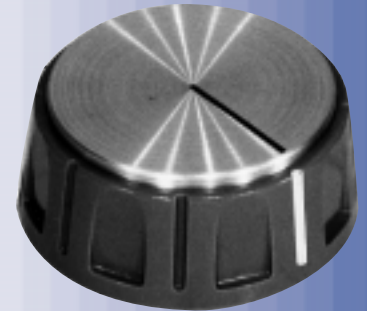
Flat Top Knob
w/Line



Raised Ring Top Knob
w/No Indicator



Metal Cap Knob
w/Line on Cap



Metal Cap Knob
w/Line on Cap and Body

Steps									
1		2		3		4		5	6
Model		Diameter		Body Line		Bushing		Knob Color	Ring Color
IRQ	Flat Top	500	0.500"	0	No Indicator	1	0.125"	Black	Black
IRK	Raised Ring Top	750	0.750"	1	Knob with Line	2	0.250"	White	White
IRP	Metal Cap	100	1.000"	01	Line on Cap	3	0.188"	Red	Red
		137	1.375"	11	Line on Cap and Body	4	0.375"	Grey	Grey
		175	1.750"			5	0.266"	Light Grey	Light Grey
								Blue	Blue

*IRQ 0.500" only available with 0.125" Bushing. Not available in IRP.

Skirted Knobs

- 3 standard models
- 5 standard diameters
- 7 standard skirt choices



Flat Top Knob
w/Solid Skirt w/Screened
Arrow Indicator



Raised Ring Top Knob
w/Solid Skirt w/Screened
Arrow Indicator



Metal Cap Knob
w/Solid Skirt w/Screened
Arrow Indicator

Steps													
1		2		3			4	5	6	7	8		
Model		Diameter		Skirt			Bushing	Knob Color	Ring Color	Skirt Color	Ink Color on Skirt		
IRQ	Flat Top	500	0.500"	2	Clear Skirt			1	0.125"	Black	Black	Black	Black
IRK	Raised Ring Top	750	0.750"	3	Solid Skirt with Screened Arrow Indicator			2	0.250"	White	White	White	White
IRP	Metal Cap	100	1.000"	4	Clear Skirt with Screened Arrow Indicator			3	0.188"	Red	Red	Red	Red
		137	1.375"	5	Solid Skirt No Marking			4	0.375"	Grey	Grey	Grey	Other
		175	1.750"	6	30 Clear Window with Screened Skirt			5	0.266"	Light Grey	Light Grey	Light Grey	
				7	Clear Skirt with Screened 0-10 Numbering					Blue	Blue	Blue	
				8	Clear Skirt with Screened 0-10 Graduated Numbering							Clear	

*IRQ 0.500" only available with 0.125" Bushing. Not available in IRP.

Bar Knobs

- 3 standard models
- 2 standard diameters



Bar Knob
w/Flat Top and Line



Bar Knob
w/Raised Ring and Line

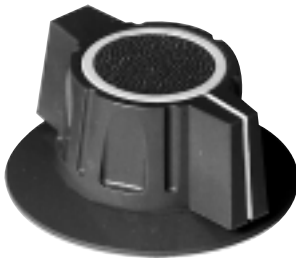


Bar Knob
w/Metal Cap and Line

Steps											
1		2		3		4		5		6	
Model		Diameter		Body Line		Bushing		Knob Color		Ring Color	
IBQ	Bar with Flat Top	750	0.750"	1	Knob with Line	1	0.125"	Black		Black	
IBK	Bar with Raised Ring	100	1.000"	01	Line on Cap	2	0.250"	White		White	
IBP	Bar With Metal Cap			11	Line on Cap and Body	3	0.188"	Red		Red	
						4	0.375"	Grey		Grey	
						5	0.266"	Light Grey		Light Grey	
								Blue		Blue	

Skirted Bar Knobs

- 3 standard models
- 2 standard sizes
- 2 standard skirt choices



Bar Knob w/Flat Top —
Solid Skirt



Bar Knob w/Raised Ring —
Solid Skirt



Bar Knob w/Metal Cap —
Solid Skirt

Steps															
1		2		3		4		5		6		7		8	
Model		Diameters		Skirt		Bushing		Knob Color		Ring Color		Skirt Color		Ink Color on Skirt	
IBQ	Bar with Flat Top	750	0.750"	2	Clear Skirt	1	0.125"	Black		Black		Black		Black	
IBK	Bar with Raised Ring	100	1.000"	5	Solid Skirt No Marking	2	0.250"	White		White		White		White	
IBP	Bar with Metal Cap					3	0.188"	Red		Red		Red		Red	
						4	0.375"	Grey		Grey		Grey		Other	
						5	0.266"	Light Grey		Light Grey		Light Grey			
								Blue		Blue		Blue			
												Clear			

Concentric Knobs

- 3 standard models
- 4 standard diameters

Steps							
1		2		3		4	
Top Knob Model		Top Knob Diameter		Top Body Line		Bushing	
IRQ	Flat Top	500*	0.500"***	1	Knob with Line	1	0.125"
IRK	Raised Ring Top	750*	0.750"	01	Line on Cap	2	0.250"
IRP	Metal Cap	100	1.000"	11	Line on Cap and Body	3	0.188"
		137	1.375"			4	0.375"
						5	0.266"

*0.500" and 0.750" Knobs cannot use 0.375" or 0.266" Bushings. **IRQ 0.500" only available with 0.125" Bushing. Not available in IRP.

5		6		7		8		9		10	
Bottom Knob Diameter		Bottom Body Line		Style		Bushing		Knob Color		Ring Color	
750	0.750"	1	Knob with Line	C	Concentric	1	0.125"	Black	Black	Black	Black
100	1.000"					2	0.250"	White	White	White	White
137	1.375"					3	0.188"	Red	Red	Red	Red
175	1.750"					4	0.375"	Grey	Grey	Grey	Grey
						5	0.266"	Light Grey	Light Grey	Light Grey	Light Grey
								Blue	Blue	Blue	Blue



Flat Top Knob w/Line,
Bottom Knob w/Line



Metal Cap Knob w/Line on Cap,
Bottom Knob w/Line

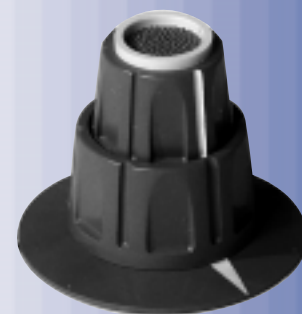
Skirted Concentric Knobs

- 3 standard models
- 4 standard diameters

Steps							
1		2		3		4	
Top Knob Model		Top Knob Diameter		Top Body Line		Bushing	
IRQ	Flat Top	500*	0.500"***	1	Knob with Line	1	0.125"
IRK	Raised Ring Top	750*	0.750"	01	Line on Cap	2	0.250"
IRP	Metal Cap	100	1.000"	11	Line on Cap and Body	3	0.188"
		137	1.375"			4	0.375"
						5	0.266"

*0.500" and 0.750" Knobs cannot use 0.375" or 0.266" Bushings. **IRQ 0.500" only available with 0.125" Bushing. Not available in IRP.

5		6		7		8		9		10		11		12	
Bottom Knob Diameter		Skirt		Style		Bushing		Knob Color		Ring Color		Skirt Color		Ink Color On Skirt	
750	0.750"	2	Clear Skirt	C	Concentric	1	0.125"	Black	Black	Black	Black	Black	Black	Black	Black
100	1.000"	3	Solid Skirt with Screened Arrow Indicator			2	0.250"	White	White	White	White	White	White	White	White
137	1.375"	4	Clear Skirt with Screened Arrow Indicator			3	0.188"	Red	Red	Red	Red	Red	Red	Red	Red
175	1.750"	5	Solid Skirt No Marking			4	0.375"	Grey	Grey	Grey	Grey	Grey	Grey	Grey	Other
		6	30 Clear Window with Screened Skirt			5	0.266"	Light Grey	Light Grey	Light Grey	Light Grey	Light Grey	Light Grey	Light Grey	
		7	Clear Skirt with Screened 0-10 Numbering					Blue	Blue	Blue	Blue	Blue	Blue	Blue	
		8	Clear Skirt with Screened 0-10 Graduated Numbering											Clear	



Raised Ring Top Knob
w/Line, Bottom Knob w/Solid
Skirt and Indicator

Concentric Bar Knobs

- 3 standard models
- 2 standard diameters

Steps							
1		2		3		4	
Top Knob Model		Top Knob Diameter		Top Body Line		Bushing	
IRQ	Flat Top	500	0.500**	1	Knob with Line	1	0.125"
IRK	Raised Ring Top	750	0.750"	01	Line on Cap	2	0.250"
IRP	Metal Cap			11	Line on Cap and Body	3	0.188"

**IRQ 0.500" only available with 0.125" Bushing.

5		6		7		8		9		10	
Bottom Knob Diameter		Bottom Body Line		Style		Bushing		Knob Color		Ring Color	
750	0.750"	1	Knob with Line	CB	Concentric Bar	1	0.125"	Black	Black		
100	1.000"					2	0.250"	White	White		
						3	0.188"	Red	Red		
						4	0.375"	Grey	Grey		
						5	0.266"	Light Grey	Light Grey		
								Blue	Blue		



Flat Top Knob w/Line, Bottom Knob w/Line



Metal Cap Knob w/Line on Cap, Bottom Knob w/Line

Concentric Bar Skirted Knobs

- 3 standard models
- 2 standard diameters

Steps							
1		2		3		4	
Top Knob Model		Top Knob Diameter		Top Body Line		Bushing	
IRQ	Flat Top	500	0.500**	1	Knob with Line	1	0.125"
IRK	Raised Ring Top	750	0.750"	01	Line on Cap	2	0.250"
IRP	Metal Cap			11	Line on Cap and Body	3	0.188"

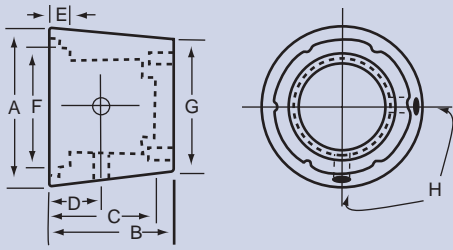
*IRQ 0.500" only available with 0.125" Bushing.

5		6		7		8		9		10		11		12	
Bottom Knob Diameter		Skirt		Style		Bushing		Knob Color		Ring Color		Skirt Color		Ink Color On Skirt	
750	0.750"	2	Clear Skirt	CB	Concentric Bar	1	0.125"	Black	Black	Black	Black	Black	Black	Black	Black
100	1.000"	5	Solid Skirt No Marking			2	0.250"	White	White	White	White	White	White	White	White
						3	0.188"	Red	Red	Red	Red	Red	Red	Red	Red
						4	0.375"	Grey	Grey	Grey	Grey	Grey	Grey	Grey	Other
						5	0.266"	Light Grey	Light Grey	Light Grey	Light Grey	Light Grey	Light Grey	Light Grey	
								Blue	Blue	Blue	Blue	Blue	Blue	Blue	
														Clear	



Metal Cap Knob w/Line on Cap, Bottom Knob w/Unmarked Solid Skirt

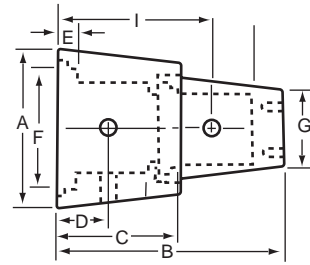
Imperial Knobs Dimensional Data (in inches)



SINGLE KNOBS

Dim.	500	750	100	137	175
A	.500	.755	.995	1.380	1.755
B	.595*	.595*	.595*	.605*	.605*
C	.435	.505	.495	.495	.495
D	.265	.265	.265	.265	.265
E	.090	.090	.090	.085	.080
F	.370	.565	.825	1.210	1.585
G	.375	.625	.875	1.250	1.625
H	1-6-32 UNC	2-6-32 UNC	2-8-32 UNC	2-8-32 UNC	2-8-32 UNC

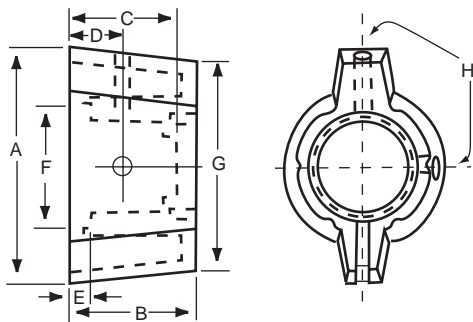
*Add .055 for Raised Ring Top (IRK) Models.
Add .031 for Metal Cap (IRP) Models.



CONCENTRIC KNOBS

Dim.	500/750	750/100	100/137	137/175
A	.755	.995	1.380	1.755
B	1.060*	1.060*	1.065*	1.070*
C	.560	.560	.570	.575
D	.265	.265	.265	.265
E	.090	.090	.085	.080
F	.565	.825	1.210	1.585
G	.625	.875	1.250	1.625
I	.735	.735	.735	.735
J	.905	.975	.970	.965

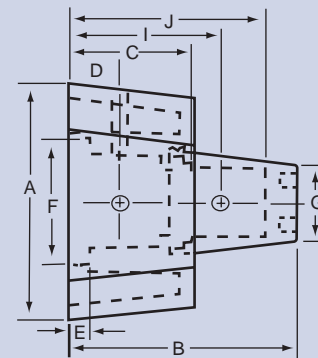
*Add .055 for Raised Ring Top (IRK) Models.
Add .031 for Metal Cap (IRP) Models.



BAR KNOBS

Dim.	750	100
A	1.130	1.510
B	.600*	.600*
C	.470	.495
D	.265	.265
E	.090	.090
F	.585	.825
G	1.000	1.365
H	2-6-32 UNC	2-6-32 UNC

*Add .055 for Raised Ring Top (IRK) Models.
Add .031 for Metal Cap (IRP) Models.

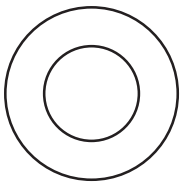


BAR CONCENTRICS

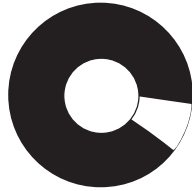
Dim.	500/750	750/100
A	1.130	1.505
B	1.065*	1.065*
C	.565	.565
D	.265	.265
E	.090	.090
F	.585	.825
G	.375	.625
I	.740	.740
J	.910	.980

*Add .055 for Raised Ring Top (IRK) Models.
Add .031 for Metal Cap (IRP) Models.

Optional Standard Skirts



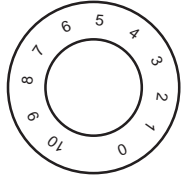
#2
Clear Acrylic -
no markings



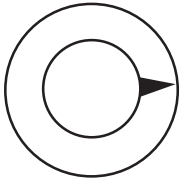
#6
Clear Acrylic -
30° window.
Silk-screened
to match knob
color



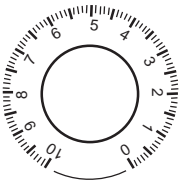
#3
Solid color
with Arrow
Indicator



#7
Clear Acrylic -
numbered 0-10
with 30° spacing - counter
clockwise rotation -
black numbers



#4
Clear Acrylic
with Arrow
Indicator



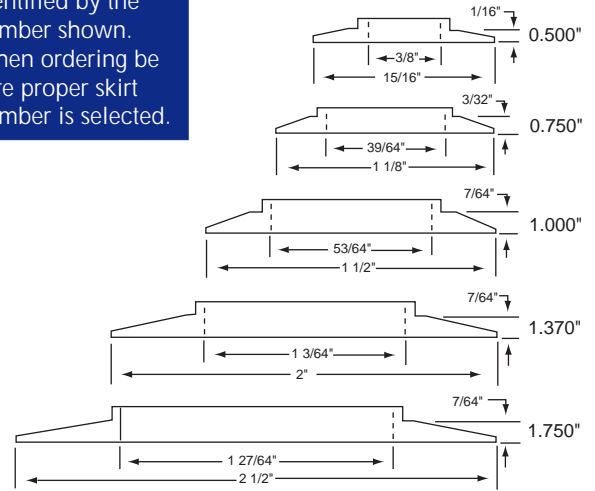
#8
Clear Acrylic -
numbered 0-10
counter clockwise
rotation - 30° spacing
with 10 divisions
between each number.
Black numbers and
lines.



#5
Solid color-
no Markings

Standard skirts are identified by the number shown. When ordering be sure proper skirt number is selected.

Diameters



Optional Aluminum Rings

Spun epoxy coated aluminum caps and disk insets are used on all Cap (PS) and Disk (DSN) series knobs in the Regular line. Optional aluminum rings are available in the Imperial line, inset in the same manner as standard plastic rings.

Optional Skirts Available

Buckeye ShapeForm offers optional skirt sizes at no extra charge. Optional skirt diameters must be spelled out or standard skirt sizes will be supplied.

Optional Skirt Diameters	Knob Model Diameters				
	0.500"	0.750"	0.969"	1.250"	1.750"
TAPERED	0.750"	0.875" 1.500"	1.625" 2.000"	2.250" 3.000"	3.000"
FLAT	0.750" 1.000"	1.219"	2.000"	2.000" 2.250" 3.000"	3.000"

Note: 2.750" Tapered skirts not available.

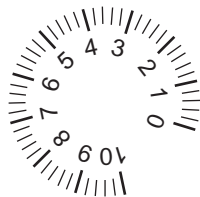
Optional Standard Skirt Markings

30j Window



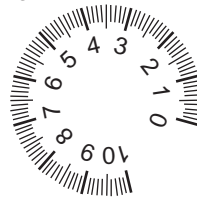
Tapered, clear acrylic, 30° window skirts, silk-screened to match standard knob colors: black, dark grey, light grey, white, red and blue. Window skirts also available to your specifications.

Rotation Markings



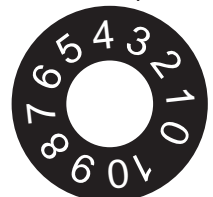
(5 graduations)

Tapered, clear acrylic skirts with 0-10 counter-clockwise rotation markings, 30° spacing, silk-screened either white or black standard. Customized silk screening available.



(10 graduations)

Hot Stamped



Tapered skirts with 0-10 counter-clockwise markings, hot-stamped in white or black. Skirts to match knob color unless clear acrylic specified.



Buckeye ShapeForm also manufactures: electronic enclosures, precision deep drawn metal structures, seamless cans and injection molded parts. A separate catalog or data sheet is available on each of our products. For more information contact:

Buckeye ShapeForm
555 Marion Road Columbus, OH 43207
Phone: 614/445-8433 Fax: 614/445-8224
Toll Free: 1-800-728-0776
www.buckeyeshapeform.com